

Remarks

Claims 1, 5, 9, 11-13, and 18-23 were previously pending in the application. After entry of the response Claims 1, 5, 9, 11-13, and 18-23 will remain pending. Reconsideration is respectfully requested based on the following remarks.

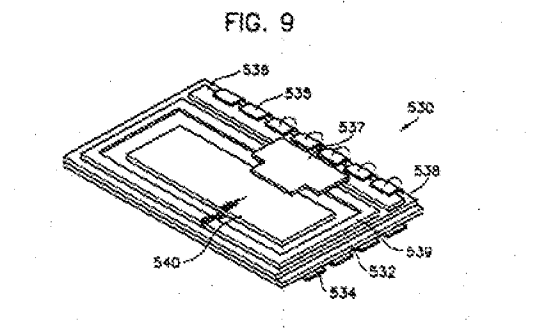
Claim Rejections 35 U.S.C. §103

Claims 1, 5, 9, 11-13, and 18-23 were rejected under 35 U.S.C. §103(a) as being unpatentable over Yun et al. (U.S. Patent No. 5,8,13935), herein referred to as “Yun”, in view of Murai (U.S. Patent No. 5,986,726), and further in view of Williamson et al. (U.S. Patent No. 5,475,381), herein referred to as “Williamson”.

Of the above-referenced claims, Claims 1, 5, and 18 are independent. Accordingly, once allowability of these claims is established, all claims depending therefrom are likewise allowable.

Claims 1, 5, and 18 have been similarly amended to recite, “a reinforcing member combined with the mold frame and having an opening; an information processing module disposed on a rear surface of the mold frame and in the opening of the reinforcing member”.

As shown below in Applicants’ Figure 9, “a reinforcing bracket 539 may be installed onto mold frame 538 to firmly fix liquid panel driving circuit 537 and information processing module 540”.



Applicants submit that Yun, Murai, and Williamson fail to disclose, teach, or otherwise suggest, “a reinforcing member combined with the mold frame and having an opening; an information processing module disposed on a rear surface of the mold frame and in the opening of the reinforcing member”, as recited in Applicants’ Claims 1, 5, and 18.

For at least this reason, Applicants respectfully submit independent Claims 1, 5, and 18, and all claims depending therefrom are patentable.

Accordingly, Applicants respectfully request reconsideration and withdrawal of the rejections under 35 U.S.C. §103(a).

Conclusion

In view of the remarks set forth above, it is submitted that the application is now in condition for allowance. Authorization is given to charge any fees due or credit any overpayments in regard to this communication to deposit account 50-5029. If the Examiner has any questions or concerns, a telephone call to the undersigned at (408) 331-1682 is welcomed and encouraged.

Certification of Electronic Transmission
Certificate of Transmission: I hereby certify that this correspondence is being transmitted to the United States Patent and Trademark Office (USPTO) via the USPTO’s EFS-Web electronic system on:
July 22, 2010
Typed or printed name of person signing this certificate:
Mark A. Pellegrini
<u>/Mark A. Pellegrini/</u>

Respectfully submitted,

/Mark A. Pellegrini/
Mark A. Pellegrini
Attorney for Applicants
Reg. No. 50,233

Innovation Counsel LLP
21771 Stevens Creek Boulevard, Suite 200
Cupertino, California 95014
Direct: (408) 331-1682
Telephone: (408) 331-1670
Facsimile: (408) 725-8263
E-mail: mpellegrini@innovationcounsel.com